

# BIZERBA

... closer to your business

**Ceraclean®**  
The essence of purity ...

## A cut above in the most diverse disciplines ...

... Manual safety slicing machines GSP H Series



### GSP H

- Large capacity thanks to broad carriage
- Transparent finger protection for a clear view during slicing
- Fewer corners, edges and large radii make cleaning fast and easy
- Optimally sealed against water and dirt
- Large, user-friendly remnant holder
- Unique design ensures minimal end-pieces and maximum product yield
- Removable, dishwasher-proof sharpener for greater safety and hygiene
- The ergonomic design sets standards in safety, yield, hygiene and durability as well as reducing the total cost of ownership

- Large finger protection for maximum safety
- All-round blade protection during cleaning
- Patented carriage locking system

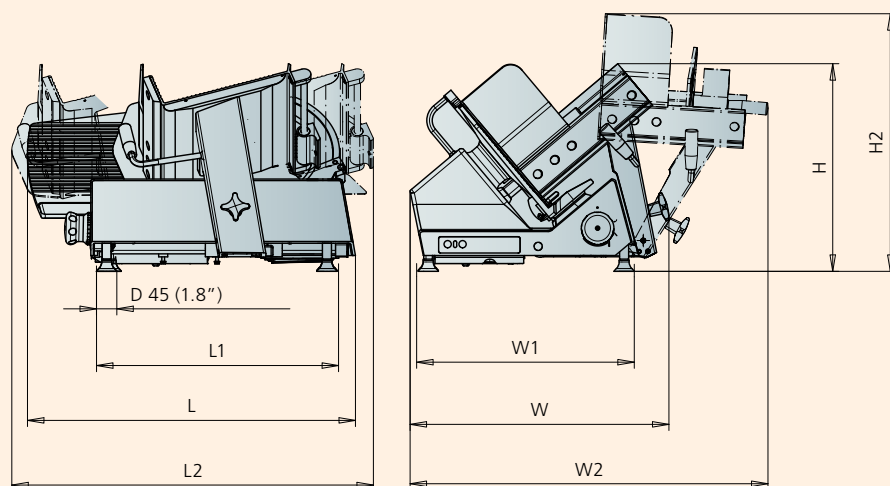
#### Additional safety features:

- Off-switch integrated in the control knob for slicing thickness, blade-off and machine block when blade is open (optional extra)
- Juices are channelled to drain
- Premium quality gravity slicer with ergonomic carriage position for ease-of-use (even with difficult products)

	<b>GSP H 0°</b>	<b>GSP H 18° L</b>	<b>GSP H 25° L</b>	<b>GSP H 25° H</b>
■ <b>Blade radius</b>	350 mm	330 mm	330 mm	330 mm
■ <b>Blade speed</b>	266 revs/pm	255 revs/pm	319 revs/pm	319 revs/pm
■ <b>Max. product size</b>	Round: 260 mm High: 246 mm Wide: 290 mm	Round: 235 mm High: 188 mm Wide: 290 mm	Round: 228 mm High: 160 mm Wide: 290 mm	Round: 202 mm High: 1126 mm Wide: 290 mm
■ <b>Footprint: L1 x W1</b>	532 x 478 mm	532 x 478 mm	530 x 480 mm	530 x 480 mm
■ <b>Outer dimensions: L x W x H</b>	725 x 570 x 470 mm	725 x 572,2 x 459 mm	725 x 587 x 571 mm	725 x 586 x 596 mm
■ <b>Working area: L2 x W2</b>	770,3 x 786,4 mm	799,3 x 791 mm	799 x 899 mm	806 x 899 mm
■ <b>Slicing thickness</b>	continuously adjustable 0 to 24 mm	continuously adjustable 0 to 24 mm	continuously adjustable 0 to 24 mm	continuously adjustable 0 to 24 mm
■ <b>Safety class</b>	IP 33	IP 33	IP 33	IP 33
■ <b>Weight</b>	43 kg	43 kg	43 kg	43 kg

**Options:**

- **Ceraclean®**  
*The essence of purity...*
- Gravity-feed slicing carriage
- Lockable produce-fixing handle
- Carriage versions:
  - 0° (together with 350 blade maximises opening for product)
  - 18° L, 25° L, 25° H
- Blade
  - **Ceraclean®**  
*The essence of purity...*
  - Perforated blade (for cheese)
  - Toothed blade (for bread)
- Lifting grip
- Comfort package
- Vegetable holder
- Tomato straight-edge
- Product attachment



**Single-phase alternating current**

- Voltage: 230 V
- Frequency: 50 Hz
- Input current: 1.79 A
- Power input: 0.36 kW

**Three-phase alternating current:**

- Voltage: 230 V/400 V
- Frequency: 50 Hz
- Input current: 1.2 A/0.68 A
- Power input: 0.31 kW



**Members of the Bizerba Group**

Bizerba GmbH & Co. KG  
Wilhelm-Kraut-Straße 65  
72336 Balingen  
Germany  
Tel. +49 7433 12-0  
Fax +49 7433 12-2696  
marketing@bizerba.com  
www.bizerba.com



Proudly Sold & Serviced By:  
**Able Scale Co Pty Ltd**  
Ph: 1300 731 360  
21 Green St Thomastown VIC. 3074

find us on the web: [www.ablescale.com.au](http://www.ablescale.com.au)

Bizerba South East Asia Pte. Ltd.  
1 Fifth Avenue #02-05  
Guthrie House  
Singapore 268802  
Singapore  
Tel. +65 6465-1900  
Fax +65 6468-0481  
bizerba@bizerba-sea.com  
www.bizerba-sea.com